

業界量產最薄、超迷你散熱扇

微米扇

DC ATOMIC COOLER

特點 FEATURES

- 超小/超薄，適用小型電子機器等
 - 高效率. 低耗電.
 - 高風量. 低噪音
 - 自潤軸受. 壽命長
- Extra mini and slim, extremely suitable for portable Electronic devices
 - High efficiency and low power
 - High airflow and low noise
 - Self-lubricative bearing used for a long service life

RFA1804D
18*18*4mm



適用產品 APPLICATIONS

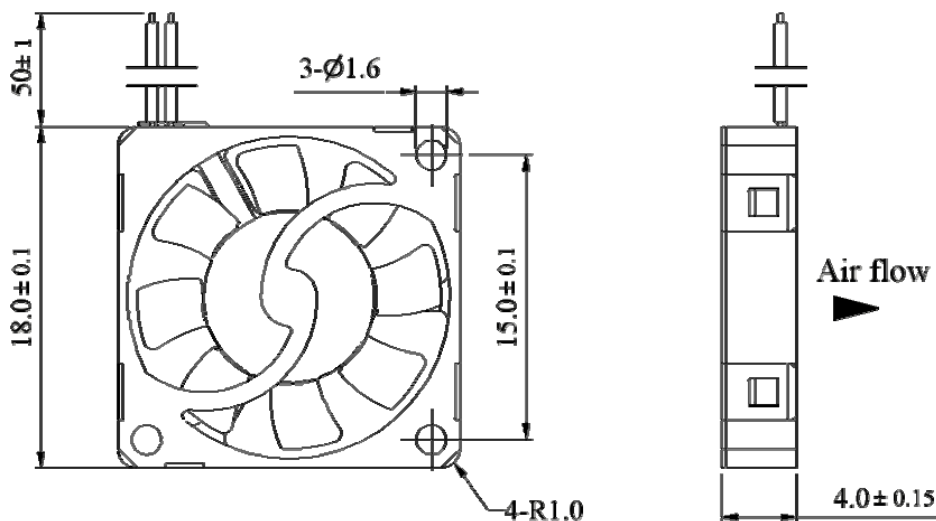
顯示卡晶片組 (for NB)、記憶體模組 (for PC and NB)、高階手機/PDA、硬碟式數位攝影機、隨身型迷你投影機等儀器散熱對流

Our atomic cooler is applicable to cooling of the precise electronic commodities, such as Video Processing Chipset for NB, Memory Module for Desktops and NB, and high-end smart phone/PDA, Digital Video Camcorder, Portable Mini Projector and so on.

尺寸 DIMENSIONS

(單位 unit : mm)

➤ RFA1804D



規格 SPECIFICATIONS

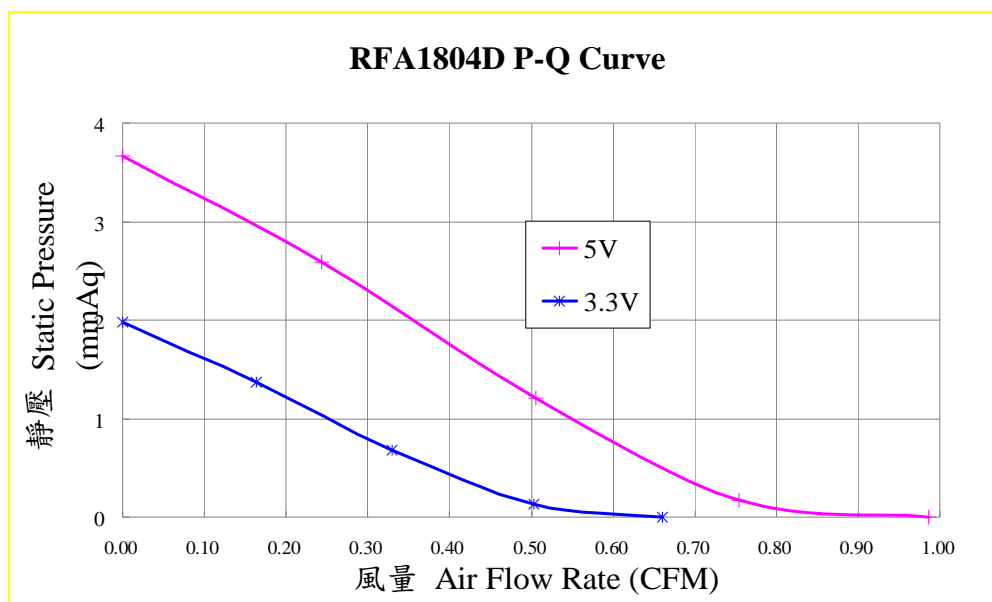
型號 Model Number	RFA1804D	
品名 Product Name	微米扇 Atomic Cooler	
軸承 Bearing	軸射軸承 Axially-grooved Bearing	
額定電壓 Rated Voltage (VDC)	3.3	5.0
運轉電壓 Operating Voltage (VDC)	2.8~3.6	4.5~5.5
額定電流 Rated Current (mA)	< 50	< 55
轉速 Rotation Speed (RPM)	8,500	13,000
風量 Air Flow (CFM)	0.65	0.9
靜壓 Static Pressure (mmAq)	1.95	3.5
噪音 Noise (dB(A))	25	< 35
重量 Weight (g)	1.7	1.7

規格視實際情況更動，不作另行通知 Specifications subject to change without notice

運轉環境溫度 Operating Temperature : -10 ~ +60°C

風量-靜壓圖 PERFORMANCE CURVE

➤ RFA1804D



海灣電氣有限公司 sales@faan.com.tw