

業界量產最薄、超迷你散熱扇

微米扇

DC ATOMIC COOLER

特點 FEATURES

- ✚ 超小/超薄，適用小型電子機器等
 - ✚ 高效率. 低耗電.
 - ✚ 高風量. 低噪音
 - ✚ 自潤軸受. 壽命長
- ✚ Extra mini and slim, extremely suitable for portable Electronic devices
 - ✚ High efficiency and low power
 - ✚ High airflow and low noise
 - ✚ Self-lubricative bearing used for a long service life

RFA1504D
15*15*4mm



適用產品 APPLICATIONS

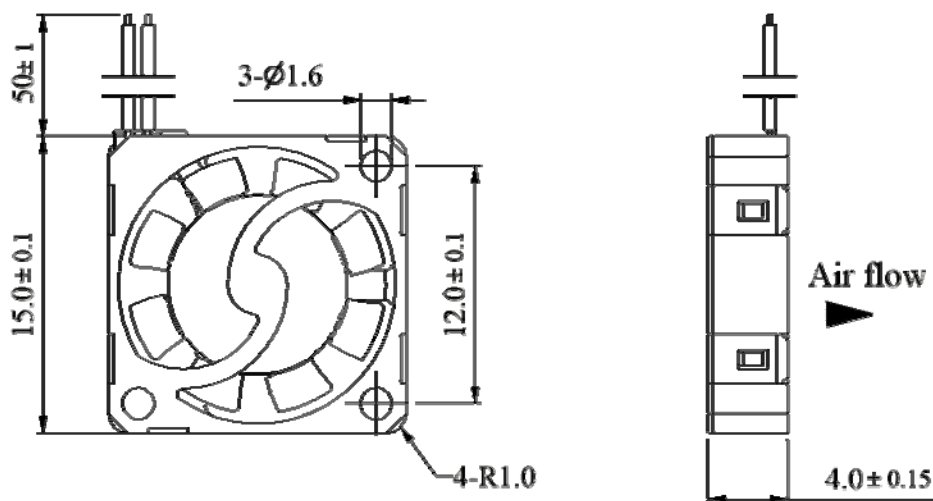
顯示卡晶片組 (for NB)、記憶體模組 (for PC and NB)、高階手機、PDA、硬碟式數位攝影機、隨身型迷你投影機等儀器散熱對流

Our atomic cooler is applicable to cooling of the precise electronic commodities, such as Video Processing Chipset for NB, Memory Module for Desktops and NB, and high-end smart phone/PDA, Digital Video Camcorder, Portable Mini Projector and so on.

尺寸 DIMENSIONS

(單位：mm)

➤ RFA1504D



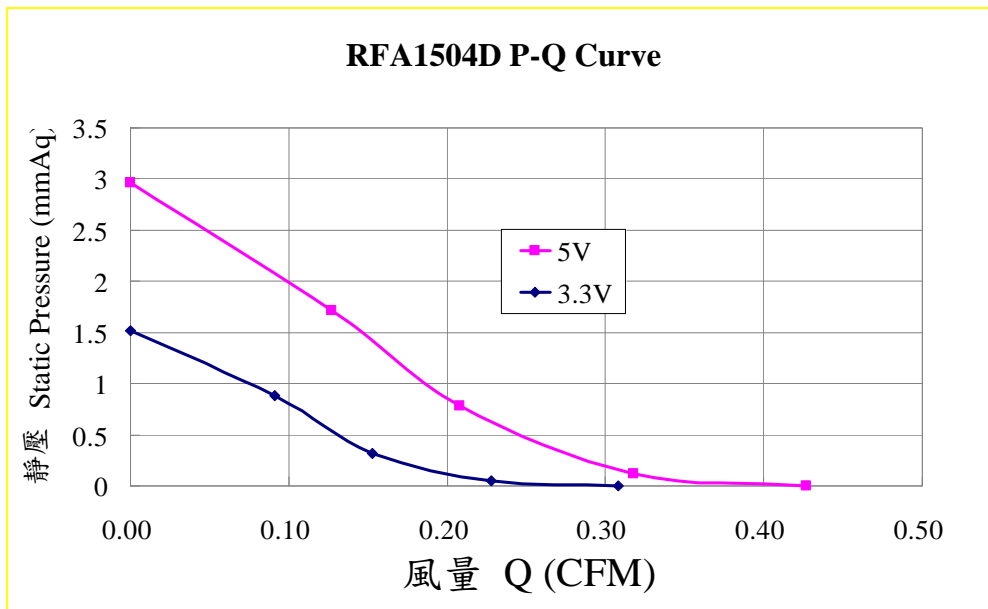
規 格 SPECIFICATIONS

型 號 Model Number	RFA1504D	
品 名 Product Name	微米扇 Atomic Cooler	
軸 承 Bearing	軸射軸承 Axially-grooved Bearing	
額定電壓 Rated Voltage (VDC)	3.3	5.0
運轉電壓 Operating Voltage (VDC)	2.8~3.6	4.5~5.5
額定電流 Rated Current (mA)	< 45	< 55
轉 速 Rotation Speed (RPM)	10,000	16,000
風 量 Air Flow (CFM)	0.3	0.4
靜 壓 Static Pressure (mmAq)	1.5	2.8
噪 音 Noise (dB(A))	25	< 35
重 量 Weight (g)	1.5	1.5

規格視實際情況更動，不作另行通知 Specifications subject to change without notice
 運轉環境溫度 Operating Temperature : -10 ~ +60°C

風量-靜壓圖 PERFORMANCE CURVE

➤ RFA1504D



海灣電氣有限公司 sales@faan.com.tw